



Ready to experience the curved filter?

Designed for high-end TIG welders, the G5-02 helmet literally sets a new world standard for precision welding filter viewing. Be one of the first to experience 3M™ Speedglas™ Curved Glass Technology; order a complete helmet system:

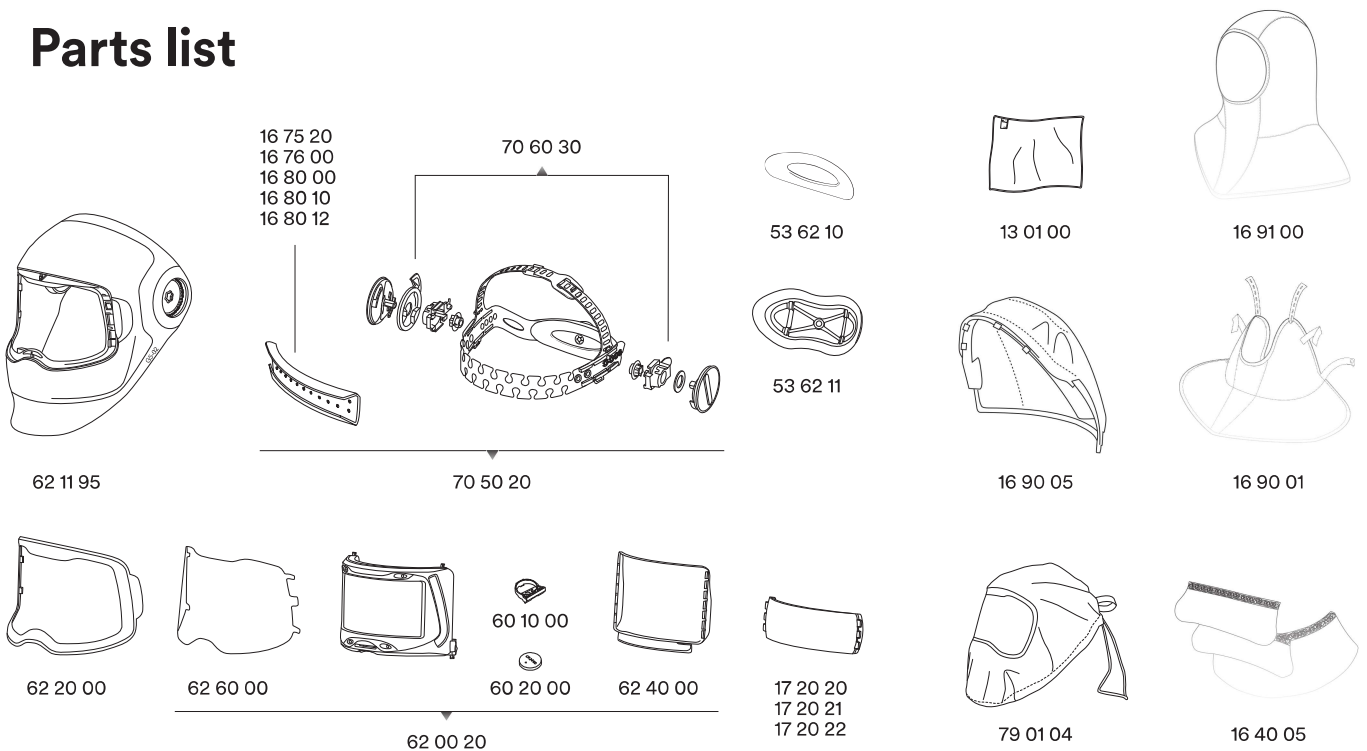


3M™ Speedglas™ Welding Helmet G5-02

Including curved welding filter, headband, cleaning wipe and storage bag.

Part No 62 11 20

Parts list



Part No	Description	Part No	Description	Part No	Description
13 01 00	3M cleaning wipe.	16 91 00	Hood black/grey.	62 11 95	Helmet without welding filter, without headband, without front cover.
16 40 05	Ear and neck protection in leather (3 parts).	17 20 20	Magnifying lens x1.5	62 20 00	Front cover.
16 90 05	Head protection in fabric.	17 20 21	Magnifying lens x2.0	62 40 00	Inner protection plates, pkg of 2.
16 75 20	Sweatband, towelling, purple, pkg of 2.	17 20 22	Magnifying lens x2.5	62 60 00	Scratch resistant outer protection plate, pkg of 5.
16 76 00	Sweatband, towelling, pkg of 20.	53 62 10	Cushion part for headband	70 50 20	Headband with assembly parts and sweatband.
16 80 00	Sweatband, leather.	53 62 11	Large head rest	70 60 30	Assembly parts (pivots) for headband.
16 80 10	Sweatband in fleecy cotton (length 24 cm), pkg of 2.	60 10 00	Battery holder.	79 01 04	Helmet storage bag.
16 80 12	Sweatband in fleecy cotton (length 21 cm), pkg of 2.	60 20 00	Battery CR2450 Lithium 3V.		
16 90 01	Neck protection.	62 00 20	Curved welding filter G5-02, incl. inner and outer protection plates.		
		62 11 20	Helmet G5-02 with welding filter, headband, cleaning wipe and bag.		