

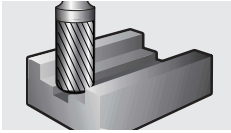


cylinder - with end cut

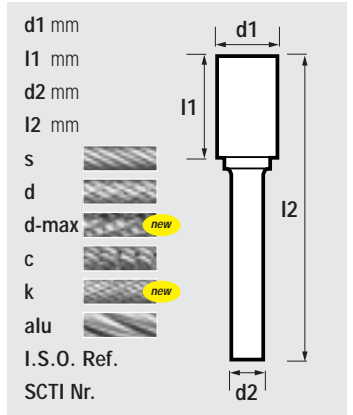
Zylinderform - Mit Stirnverzahnung

cylindre - coupe en bout

cilindro - con dentado frontal



new							new				new	
1.5	2.4	2.4	3	3	4	4	4	6	6	6	6	8
6	13	13	13	13	13	13	16	13	19	19	25	19
3	2.4	2.4	3	3	4	4	6	3	6	6	6	6
38	38	63	38	63	50	63	50	45	50	75	50	65
T1052	T1102	-	T1202	-	T1302	-	T1302-6	T1242	T1402	T1402L	-	T1502
T1052D	T1102D	T1102DL	T1202D	T1202DL	T1302D	T1302DL	T1302D-6	T1242D	T1402D	T1402DL	T1402D-1	T1502D
-	-	-	-	-	-	-	-	-	-	-	-	-
-	-	-	-	-	-	-	-	-	-	-	-	-
-	-	-	T1202K	-	-	-	-	-	T1402K	-	-	T1502K
-	-	-	-	-	-	-	-	-	new TTA140	-	-	-
-	-	-	B031303	B031303	B041304	B041304	B041606	B061303	B061906	B061906	B062506	B081906
SB-41M	SB-63M	-	SB-43M	-	-	-	SB-13M	SB-51M	SB-1M	SB-1ML3	SB-1ML	SB-2M



	new	new					
10	10	11	12	12	12	16	16
19	25	25	19	25	25	25	25
6	6	6	6	6	8	6	8
65	70	70	65	70	70	70	70
T1602	-	-	T1702	T1702-1	T1702-1-8	T1802-6	T1802
T1602D	T1602D-1	T1652D	T1702D	T1702D-1	T1702D-1-8	T1802D-6	T1802D
TDX162	-	-	-	TDX172-1	-	-	-
-	-	-	-	-	-	-	-
T1602K	-	-	T1702K	T1702K-1	-	-	-
TTA160	-	-	-	TTA170	-	-	TTA180
B101906	B102506	B112506	B121906	B122506	B122508	B162506	B162508
SB-3M	SB-3ML	SB-4M	-	SB-5M	SB-5M8	SB-6M	SB-6M8

