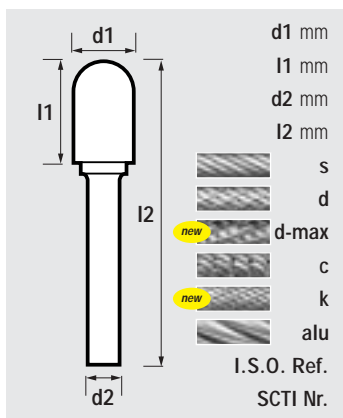
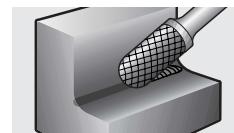


# ball nosed cylinder

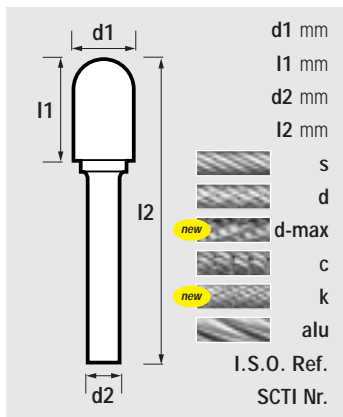
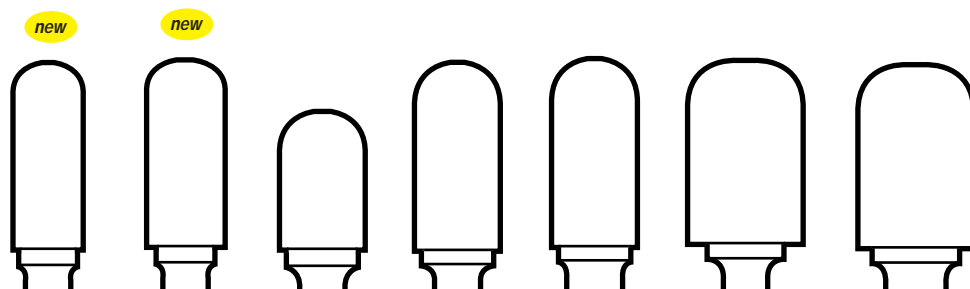
Walzenrundform

cylindrique bout rond

cilindro esférico



	<b>new</b>		<b>new</b>	<b>new</b>	<b>new</b>	<b>new</b>			<b>new</b>		
d1 mm	2.5	3	3	3	4	5	6	6	6	8	10
I1 mm	11	13	13	13	16	16	13	19	25	19	19
d2 mm	3	3	3	3	6	6	3	6	6	6	6
I2 mm	38	38	50	75	50	50	45	50	50	65	65
s	T3100	T3200	-	-	T3300-6	-	T3240	T3400	-	T3500	T3600
d	T3100D	T3200D	T3200DL	T3200DXL	T3300D-6	T3350D-6	T3240D	T3400D	T3400D-1	T3500D	T3600D
d-max	-	-	-	-	-	-	-	-	-	TDX350	TDX360
c	-	T3200C	-	-	-	-	-	T3400C	-	-	T3600C
k	-	T3200K	-	-	T3300K-6	-	-	T3400K	-	T3500K	T3600K
alu	-	-	-	-	-	-	-	<b>new</b> TTA340	-	-	TTA360
I.S.O. Ref.	-	C031303	C031303	C031303	C041606	C051606	C061303	C061906	C062506	C081906	C101906
SCTI Nr.	SC-41M	SC-42M	SC-42ML2	SC-42ML3	SC-13M	SC-14M	SC-51M	SC-1M	SC-1ML	SC-2M	SC-3M



	<b>new</b>	<b>new</b>					
d1 mm	10	11	12	12	12	16	16
I1 mm	25	25	19	25	25	25	25
d2 mm	6	6	6	6	8	6	8
I2 mm	70	70	65	70	70	70	70
s	-	-	T3700	T3700-1	T3700-1-8	T3800-6	T3800
d	T3600D-1	T3650D	T3700D	T3700D-1	T3700D-1-8	T3800D-6	T3800D
d-max	-	-	TDX370	TDX370-1	TDX370-1-8	TDX380-6	TDX380
c	-	-	T3700C	T3700C-1	-	-	-
k	-	-	T3700K	T3700K-1	-	-	-
alu	-	-	-	TTA370	-	-	TTA380
I.S.O. Ref.	C102506	C112506	C121906	C122506	C122508	C162506	C162508
SCTI Nr.	SC-3ML	SC-4M	-	SC-5M	SC-5M8	SC-6M	SC-6M8