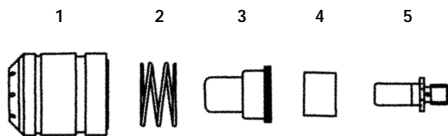


## BZL® - PSB31KK

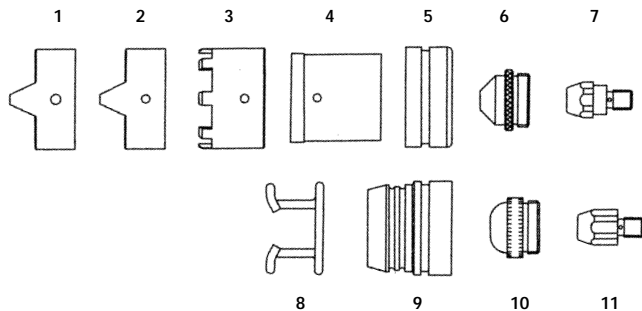


Components		
Part Number	Description	
1	PC335	Protective Nozzle
2	PC336	Spring
3	PC333-10	Cutting tip 1.0mm
	PC333-12	Cutting tip 1.2mm
4	PC332	Insulator

Components		
Part Number	Description	
5	PC310	Electrode Zr x 15.5mm
	PC311	Electrode Zr x 16mm
	PC312	Electrode Zr x 16.5mm
NI	PC321	Safety Clip
NI	PC3100	Torch Head

NI - Not Illustrated

## BZL® - PSB60L-80L-121L



Components		
Part Number	Description	
1	PC805	Copper Nozzle Double Pointed
2	PC804	Copper Nozzle Standard
3	PC808	Copper Nozzle Double Point
4	PC803	Distance Nozzle Holder
5	PC806	Distance Nozzle Collet
6	PC810-10	Cutting Tip 1.0mm
	PC810-13	Cutting Tip 1.3mm
	PC810-15	Cutting Tip 1.5mm
	PC810-18	Cutting Tip 1.8mm
7	PC813	30 Deg Electrode Hafnium
	PC813ZR	30 Deg Electrode Zirconium

Components		
Part Number	Description	
8	PC811	Stand off Spring
9	PC807	Stand off Nozzle
10	PC802-10	Cutting Tip 1.0mm
	PC802-13	Cutting Tip 1.3mm
	PC802-15	Cutting Tip 1.5mm
	PC802-18	Cutting Tip 1.8mm
	PC802-20	Cutting Tip 2.0mm
11	PC801	Electrode Hafnium
	PC801ZR	Electrode Zirconium